

# Timer Dimmer User Manual



(Please read through this manual carefully before use)

## 1. Brief Introduction

This Timer dimmer Series is 4CH output, it can adjust the brightness based on the set time. Users also can insert a variety of special lighting change effect, which can be customized or recorded by the DMX console, simulating light change in the nature perfectly, suitable for commercial lighting, plant light and aquarium light etc.

## 2. Specifications

Model	Constant Voltage 6A	DMX512
Working Voltage	DC12-DC36V	DC9V(With adapter)
Output Current	6A x 4CH	/
Input Signal	/	DMX512
Output Signal	PWM	DMX512 (Four effective data channel)
DMX Interface	XLR-3, RJ45, Terminal Block	XLR-3, RJ45, Terminal Block
Working Temp	-20~55°C	-20~55°C
Product Dimension	L161×W100×H30(mm)	L161×W100×H30(mm)
Weight(G.W)	480g	460g

## 3. Basic Features

1. With LCD display, easy operation.
2. Built-in real time clock system, and can set any time & any brightness.
3. 4 CH output, each channel can be configured and timed dimming independently.

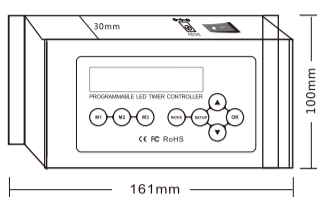
1

4. 1 manual mode, 4 timing automatic modes, 12 change effects, perfectly simulate the light changes in nature.
5. 4 kinds of change effect record function, you can use standard DMX512 console to program and record as a special effect mode.
6. Quick demonstration function, users can quickly check the accuracy of the data
7. 4 CH output constant voltage or DMX512 signal.
8. Multiple DMX512 interface: XLR-3, RJ45, terminal block for convenient usage.

## 4. Safety warnings

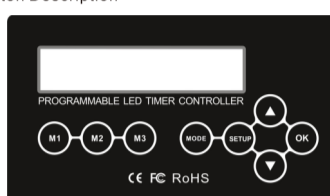
1. Please don't install this controller in lightning, intense magnetic and high-voltage fields.
  2. To reduce the risk of component damage and fire caused by short circuit, make sure correct connection
  3. Always be sure to mount this unit in an area that will allow proper ventilation to ensure a fitting temperature.
  4. Check if the voltage and power adapter suit the controller
  5. Don't connect cables with power on, make sure a correct connection and no short circuit checked with instrument before power on.
  6. Please don't open controller cover and operate if problems occur.
- The manual is only suitable for this model; any update is subject to change without prior notice.

## 5. Dimensions



## 6. Operating Instructions

### 1. Button Description



2

Key	Short press Function	Long press Function(2S)
M1, M2, M3	Callout saved mode	Save the current mode
MODE	Switch mode Back to previous	Enter special effect exit setup
SETUP	Enter and switch setup	Enter system setup
UP	Increase current set value	Increase current set value rapidly
DOWN	Decrease current set value	Decrease current set value rapidly
OK	Confirm and enter into next set value	

### 2. Working mode

Auto mode means that the dimmer adjust the brightness automatically at a specified time according to the set parameters. Manual mode is to set the brightness of 4 channels respectively through the keys. After setting, the brightness will remain the same until the next change.

NO.	Working mode	LCD display	Operation
1	Auto mode 1	1. AUTO MODE1	Press MODE to switch, SETUP to enter setting
2	Auto mode 2	2. AUTO MODE2	
3	Auto mode 3	3. AUTO MODE3	
4	Auto mode 4	4. AUTO MODE4	
5	Manual mode	5. MANUAL MODE	

### 3. Auto modes effects

In auto modes, each channel can be set to 8 scenes separately, and inset 8 special effects. When finish setup, the dimmer can control the led lights automatically based on the setup. Meanwhile, each mode can be inserted up to 8 effects. When the dimmer change automatically according to the set scene, and if the current time is set with special effect, it changes to the special effect priority. After exiting the special effect time, the controller will restore automatically to set the automatic changes of set scene.

After pressing the SETUP to enter the parameter setting, select the setting or operation you need firstly:

NO.	Setting	Instructions	LED display	Operation
1	Channel Selection	Four channels CH1, CH2, CH3, CH4	MODE1 SETUP CH1	Press MODE to exit setup, UP&DOWN to switch options, OK to enter concrete setting
2	Special Effects	the specific setting mode	MODE1 SETUP SPECIAL	
3	Quick Demo	60 times the speed of the demo, a total of 24 minutes	MODE1 SETUP QUICK DEMO	
4	Load Default	All parameters in this mode to restore the default	MODE1 SETUP LOAD DEFAULT	

Enter into the appropriate interface according to the setting or operation you choose :

3

Setting	Instructions	LED display	Operation
Scene	Can set up to eight scenes, each scene has four settings: switch (the current scene is valid) Hour, Minute, Brightness	MODE1 CH1 SCENE1 ON 00:00 00%	Press MODE to return, SETUP to switch Scene, UP, DOWN to modify the set value, OK to switch next set value
Special Effects	Can set up to eight scenes, each scene has six settings: switch (the current scene is valid) begin hour, minute end hour, minute and special number	MODE1 SP1 ON 00:00-00:00 S01	Press MODE to return, SETUP to switch Scene, UP, DOWN to modify the set value, OK to switch next set value
Quick Demo	60 times the speed of quick demo, a total time of 24 minutes, this function is used to check the scene is set, the effect setting is invalid.	MODE1 SETUP QUICK DEMO	OK enter into demo, MODE Back
Load Default	Parameter setting restore to default at this mode.	MODE1 SETUP LOAD DEFAULT	OK Enter, OK again to confirm

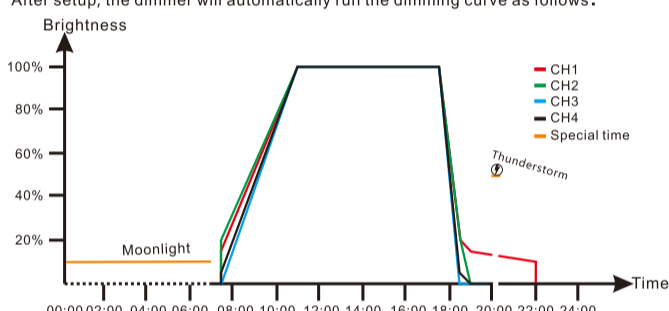
When setting parameters scene, next scene time must be later than the former scenetime. Exit settings, the dimmer will automatically check if there is an error and you will be prompted which channel's parameter is set error:

1. AUTO MODE1 CH1 SETUP ERROR!

For example the scene and special effect as below :

Channel	CH1	CH2	CH3	CH4	Special
Scene	7:30 0% 7:30 15% 11:00 100% 17:30 100% 18:30 20% 19:00 15% 22:00 0%	7:30 0% 7:30 20% 11:00 100% 17:30 100% 18:30 20% 19:00 0% 22:00 0%	7:30 0% 7:30 0% 11:00 100% 17:30 100% 18:30 0% 19:00 0% 22:00 0%	7:30 0% 7:30 5% 11:00 100% 17:30 100% 18:30 5% 19:00 0% 22:00 0%	0:00-7:00 Moonlight 20:00-20:10 Thunderstorm

After setup, the dimmer will automatically run the dimming curve as follows.



4

## 4. Special effects

In normal working modes, long press "MODE" to enter the special effect setup mode, long press this button again to exit and back to the normal working mode. After entering the special effect setup, press "MODE" to switch the special mode, press "SETUP" to enter all the special effect settings.

NO.	Special effect description	LED display	Changing effect and setting value	Operation		
1	Night light mode	S01 NIGHT LIGHT NIGHT SETUP 00% 00% 00% 00%	Setup the respective brightness of 4 channels to adjust the static brightness	UP, DOWN to modify the set value, OK to switch next set value, MODE back to previous		
2	Day light mode	S02 DAY LIGHT DAY SETUP 100% 100% 100% 100%				
3	Moon light mode	S03 MOON LIGHT MOON SETUP 10% 00% 00% 00%				
4	Cloudy light mode	S04 CLOUDY LIGHT CLOUDY SETUP 50% 50% 50% 50%				
5	Sunrise mode	S05 SUNRISE SUNRISE BEGIN 00% 00% 00% 00%			Setting values from initial brightness to final brightness. Setting values are divided into two groups of four parameters, which is the respective original brightness and final brightness of four channels	
6	Sunset mode	S06 SUNSET SUNSET BEGIN 100% 100% 100% 100%				
7	Thunderstorm mode	S07 THUNDERSTORM STORM SETUP ON ON ON ON			According to on/off, type, speed and the flicker or strobe of brightness, the setting value are divide into four groups, on/off, type, speed and brightness.	Setup to switch setting group, UP, DOWN to modify the set value, OK to switch next set value
8	Lightning mode	S08 LIGHTNING LIGHTNING SETUP ON ON ON ON				

5

9	Record mode 1	S09 RECORD MODE1 EMPTY RECORD1 SETUP BEGIN RECORD?	Recording effect (If you need more special effects, you can use DMX512 console to record. If not, no need to record)	When the mode is empty, press enter to record, if not empty, press enter to delete, press OK to enter.
10	Record mode 2	S10 RECORD MODE2 EMPTY RECORD2 SETUP BEGIN RECORD?		
11	Record mode 3	S11 RECORD MODE3 EMPTY RECORD3 SETUP BEGIN RECORD?		
12	Record mode 4	S12 RECORD MODE4 EMPTY RECORD4 SETUP BEGIN RECORD?		

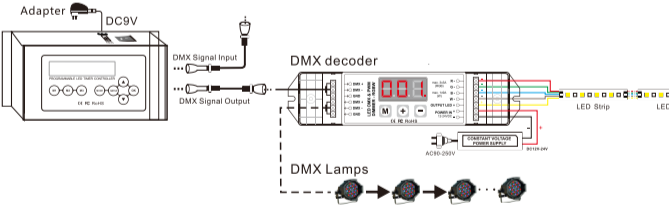
## 5. System Setup

In normal working modes, long press "SETUP" to enter the system setting, long press the button again to exit and back to the normal working modes.

NO.	Setting	LCD display	Operation
1	System time setup	SYSTEM TIME 01/01/2015 00:00	Press SETUP to enter the setup, UP&DOWN to modify the set value, OK to switch next set value
2	Load default setup	SYSTEM TIME LOAD DEFAULT OK!	Press OK to enter, press "OK" again to confirm

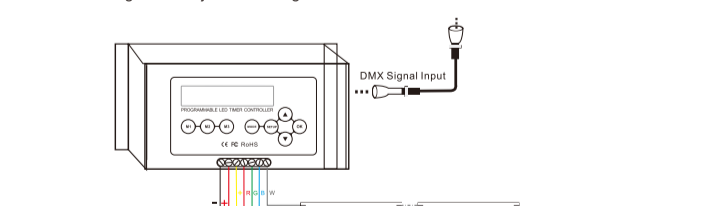
## 7. Conjunction Diagram

DMX512 conjunction diagram : (DMX lamps can be directly connected or connect to DMX decoder)

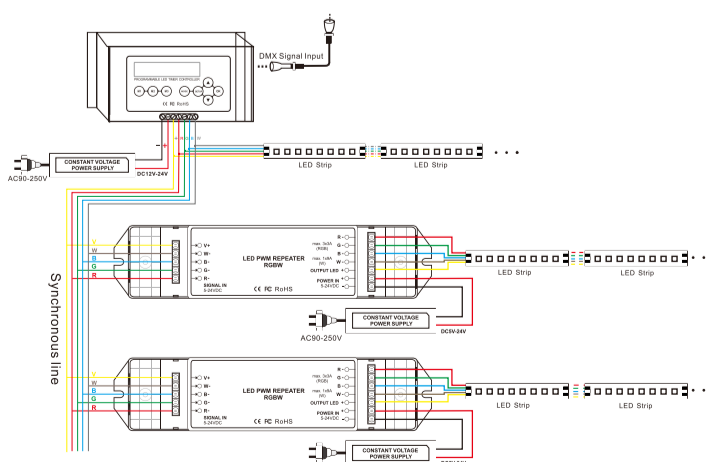


6

## Constant Voltage 6A conjunction diagram :



Constant Voltage 6A connect to power repeater (the controller and the amplifier can share the same power supply)



7

## 8. After-Sales

From the day you purchase our products within 3 years, if being used properly in accordance with the instruction, and quality problems occur, we provide free repair or replacement services except the following cases:

1. Any defects caused by wrong operations.
2. Any damages caused by inappropriate power supply or abnormal voltage.
3. Any damages caused by unauthorized removal, maintenance, modifying circuit, incorrect connections and replacing chips.
4. Any damages due to transportation, breaking, flooded water after the purchase.
5. Any damages caused by earthquake, fire, flood, lightning strike etc force majeure of natural disasters.
6. Any damages caused by negligence, inappropriate storing at high temperature and humidity environment or near harmful chemicals.
7. Product has been updated.

8